

**ASBURY AWNING
MONMOUTH & OCEAN COUNTY AWNING
* DRIFTWOOD CABANA CLUB
1485 OCEAN AVE
SEA BRIGHT, NJ 07760**

1: WELDED A-FRAME CANOPY STYLE

FRAME: 1" x 1" x 0.125" SQ. ALUM. & 1" x 2" x 0.125" RECT. ALUM. (STAPLE SYSTEM) MILL FINISH
POSTS: 3" x 3" x 1/4" w/ 1/4" FLANGES AT TOP & BOTTOM (18 TOTAL)

FABRIC: TBD

VALANCE: 17"

HEM: 2"

16: WELDED PANEL STYLE ENCLOSURE SYSTEM

BOLT-ON DESIGN FOR REMOVAL

CLEAR VINYL WINDOW TO BE DESIGNED TO OPEN & CLOSE

FRAME: 1" x 1" x 0.125" SQ. ALUM. & 1" x 2" x 0.125" RECT. ALUM. (STAPLE SYSTEM) MILL FINISH

FABRIC: TBD

INSERT: TBD

2: SLIDING DOOR

TYPE: VINYL WITH GLASS & SCREEN

1: ENTRY DOOR TO SWING OUT

TYPE: TBD

MOUNTING:

-FRAME TO FASTEN TO REAR 1 1/2" x 3" MAIN HEADER USING 3/8" x 3" GALV. LAG BOLT w/ WASHER (6 LOCATIONS)

-POSTS TO FASTEN TO DECK USING 3/8" x 4" GALV. LAG BOLT w/ WASHER THRU INTO DOUBLE WOOD BLOCKING FROM UNDERNEATH (3 PER POST)

-POSTS TO FASTEN THRU SIDE INTO MAIN 4" x 4" WOOD DECK POSTS USING 3/8" x 7" LAG BOLT w/ WASHER & ALUM. SPACER (1 PER POST)

-FRAME TO SIT ON TOP OF POSTS WITH CONTINUOUS 1" x 5" PROJ. PLATES (WELDED WITHIN FRAME), BOLTED TO TOP FLANGES USING 3/8" x 3" THRU BOLT w/ WASHER & NUT (2 PER POST)

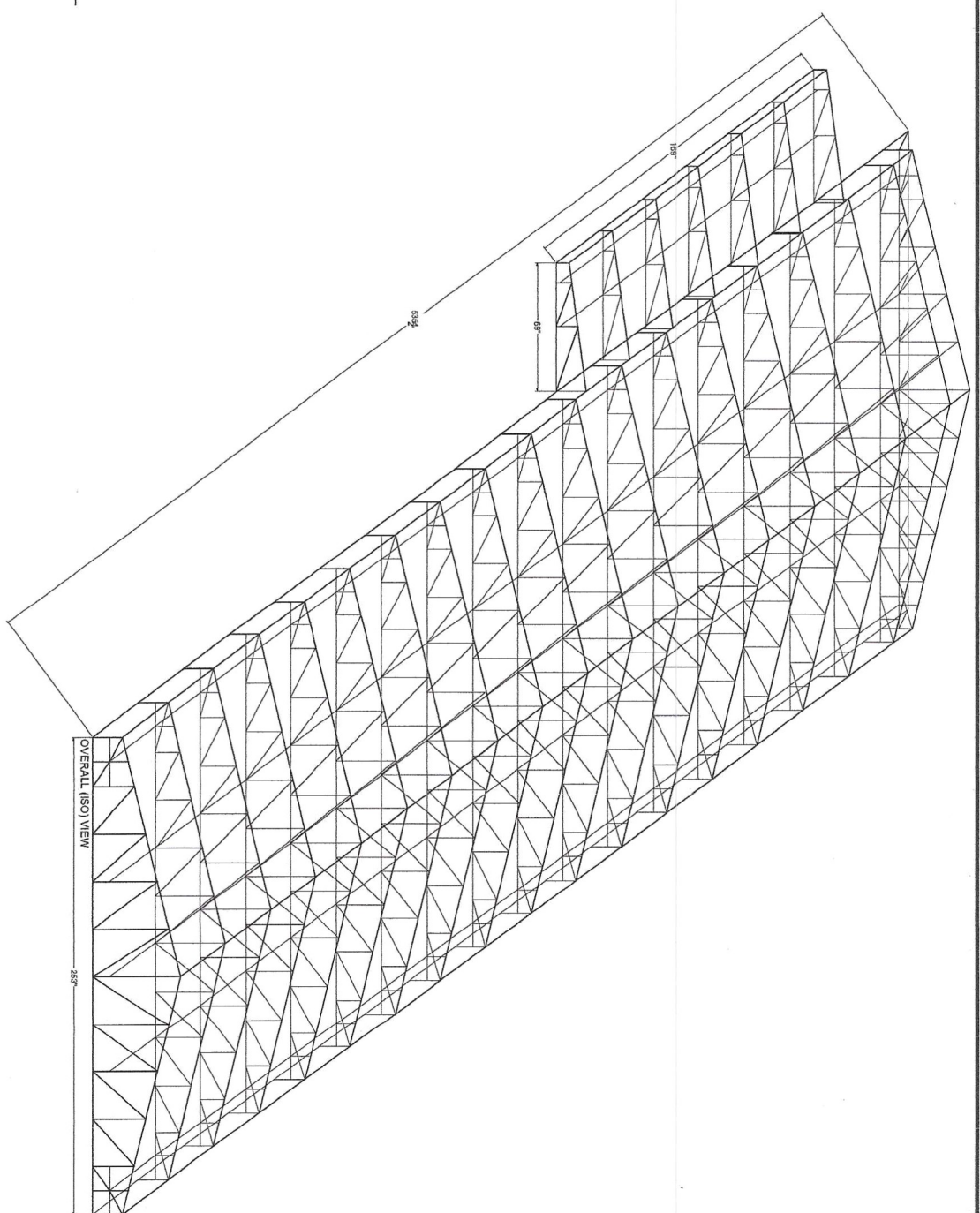
-FRAME SECTIONS CONNECT USING 5/16" x 3" GALV. THRU BOLT w/ WASHER & NUT (APPROX. 20 PER CONNECTION)

-WELDED PANEL STYLE TO FASTEN IN BETWEEN POSTS w/ WELDED CONTINUOUS VERT. FLANGES USING 5/16" x 3" THRU BOLT w/ WASHER & NUT (6 PER PANEL)

-DOOR STYLES TO FASTEN WITHIN WELDED PANEL STYLE FRAMING; FASTENING TBD UPON FINAL DESIGN

-MAIN ENTRY DOOR TO BE RECESSED BACK FROM STAIRS; FASTENED WITHIN RECESSED WELDED PANELS, AS PER TOWNSHIP CODE REQUIREMENT

ALL DESIGN, MANUFACTURING & INSTALLATION TECHNIQUES MEET INDUSTRY STANDARDS



01 ISOMETRIC VIEW
N.T.S.

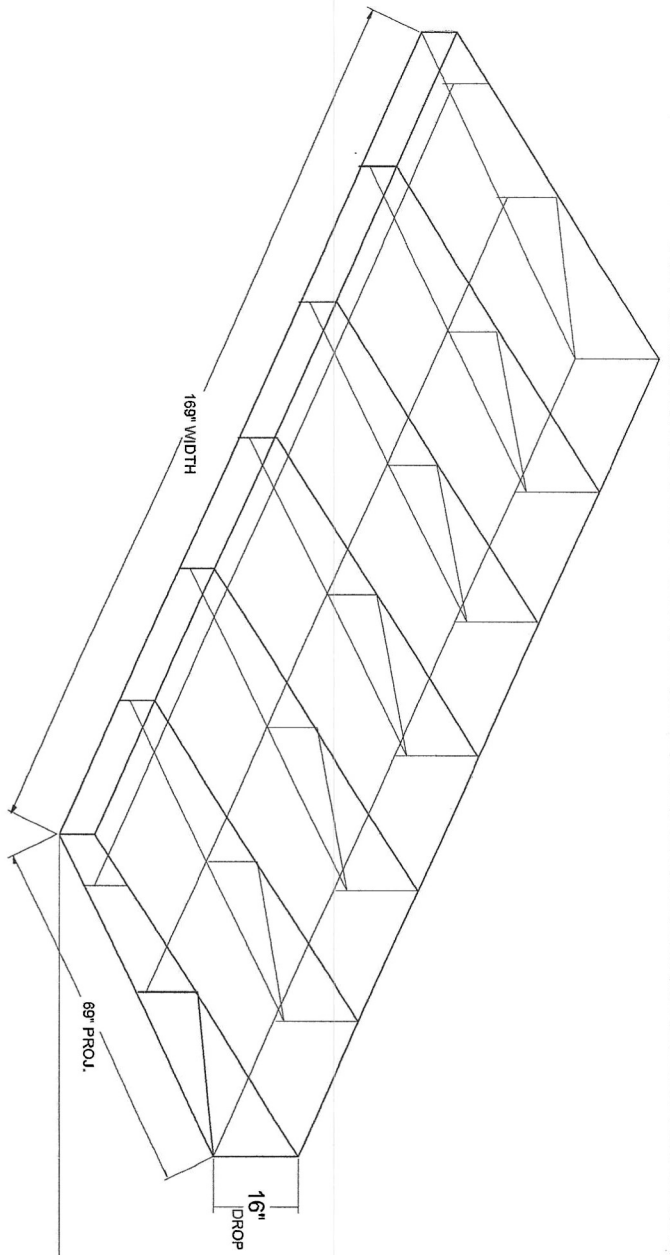
OVERALL (ISO) VIEW

ASBURY AWNING MONMOUTH &
OCEAN COUNTY AWNING+DRIFTWOOD
CABANA CLUB
1485 OCEAN AVE, SEA BRIGHT, NJ 07760

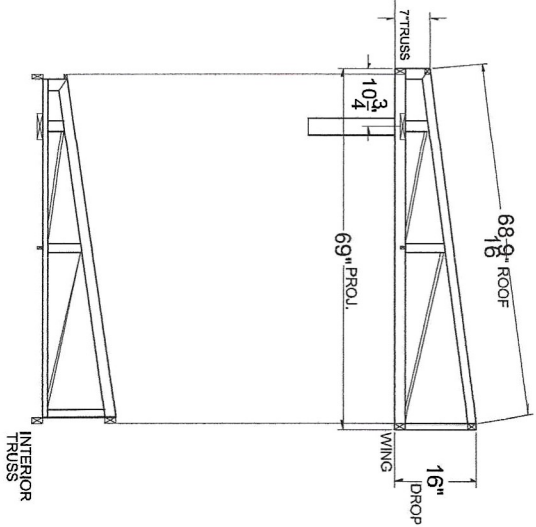
ISOMETRIC AWNING	3/5/2020
	N.T.S.



DUNE
AWNING FABRICATION, LLC
25C COURT B
BRICK, NJ 08724



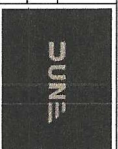
**SECONDARY AWNING
FRAME OVER BAR AREA**



01 SECONDARY ISOMETRIC AWNING
N.T.S.

ASBURY AWNING MONMOUTH &
OCEAN COUNTY AWNING*DRIFTWOOD
CABANA CLUB
1485 OCEAN AVE, SEA BRIGHT, NJ 07760

SECONDARY ISOMETRIC AWNING	3/5/2020 N.T.S.
----------------------------------	--------------------



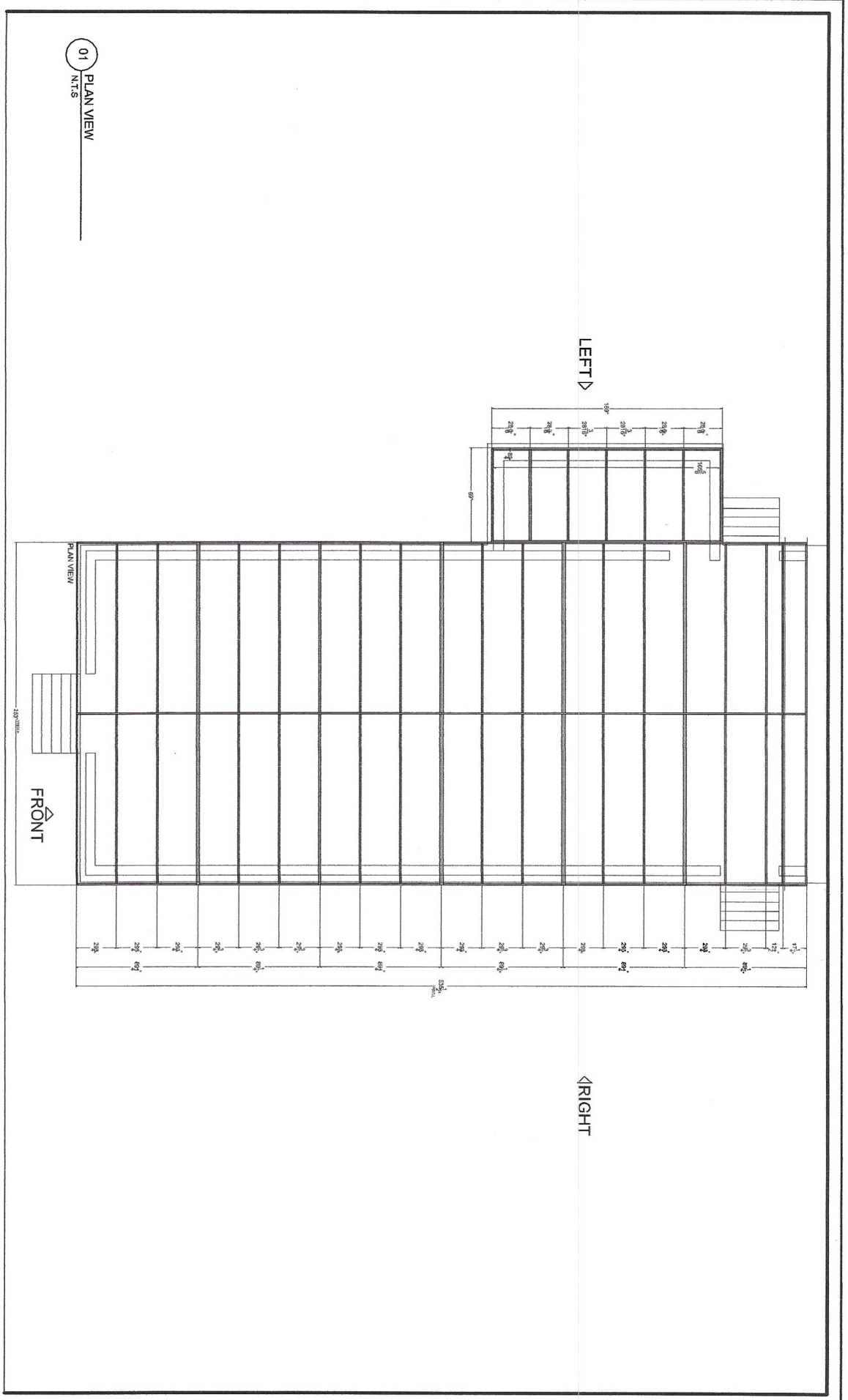
DUNE
AWNING FABRICATION, LLC
28C COURT B
BRICK, NJ 08724

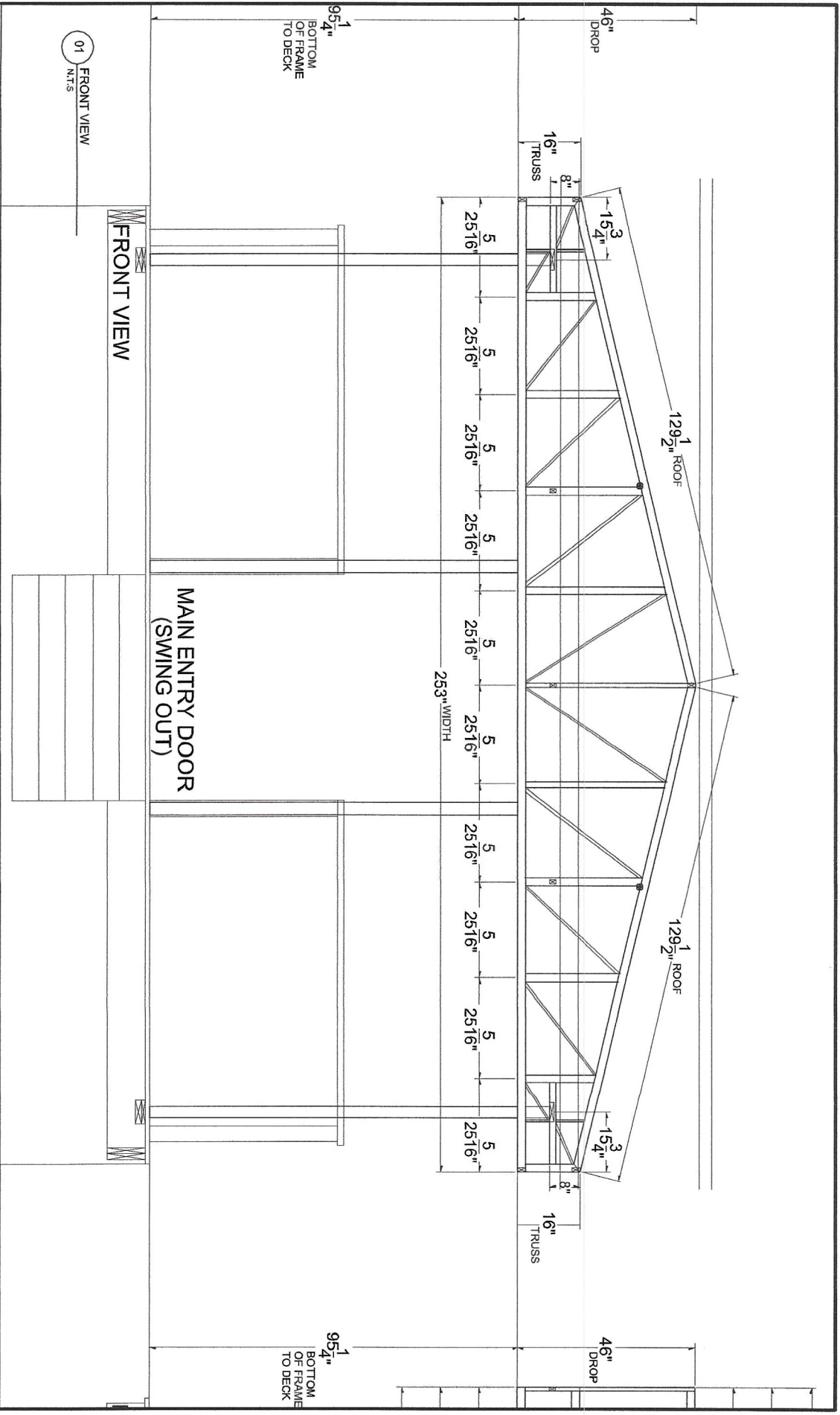
ASBURY AWNING MONMOUTH &
 OCEAN COUNTY AWNING+DRIFTWOOD
 CABANA CLUB
 1485 OCEAN AVE, SEA BRIGHT, NJ 07760

PLAN VIEW
 3/5/2020
 N.T.S.



DUNE
 AWNING FABRICATION, LLC
 256 COURT B
 BRICK, NJ 08724

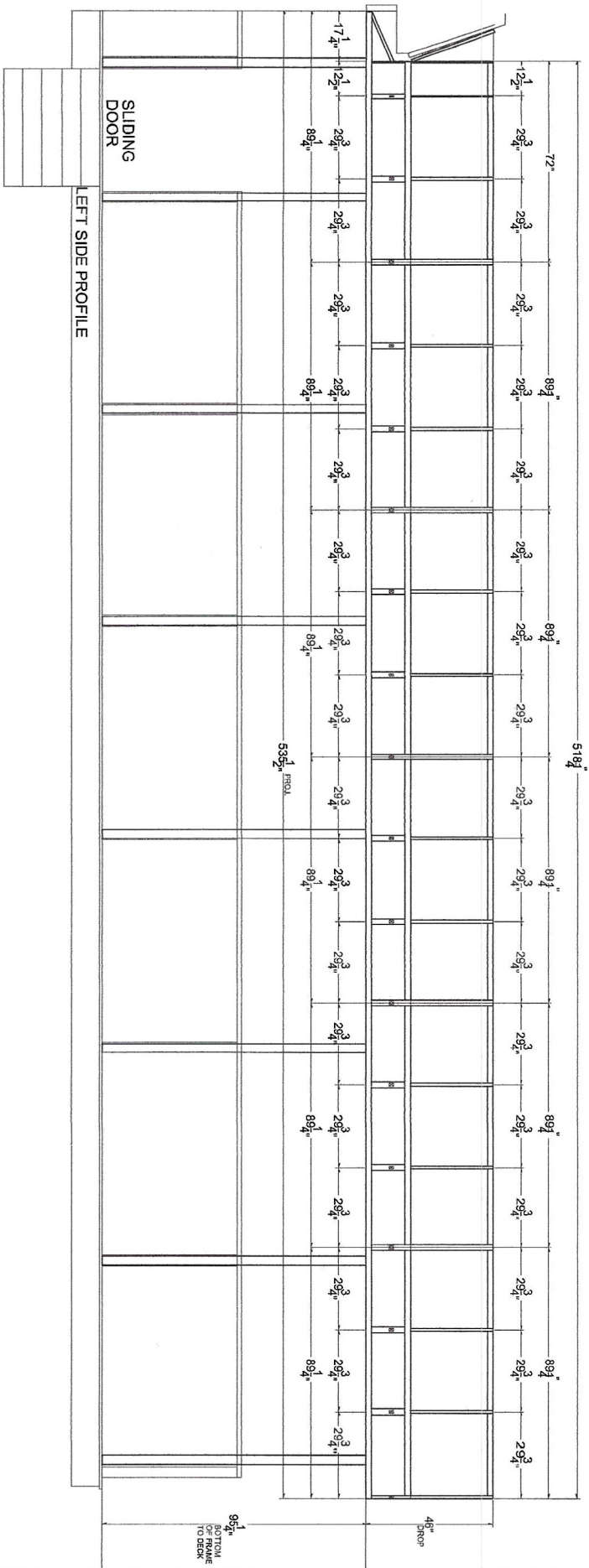




ASBURY AWNING MONMOUTH &
 OCEAN COUNTY AWNING+DRIFTWOOD
 CABANA CLUB
 1485 OCEAN AVE, SEA BRIGHT, NJ 07760

FRONT VIEW	
	3/5/2020
	N.T.S.

DUNE
 AWNING FABRICATION, LLC
 25C COURT B
 BRICK, NJ 08724



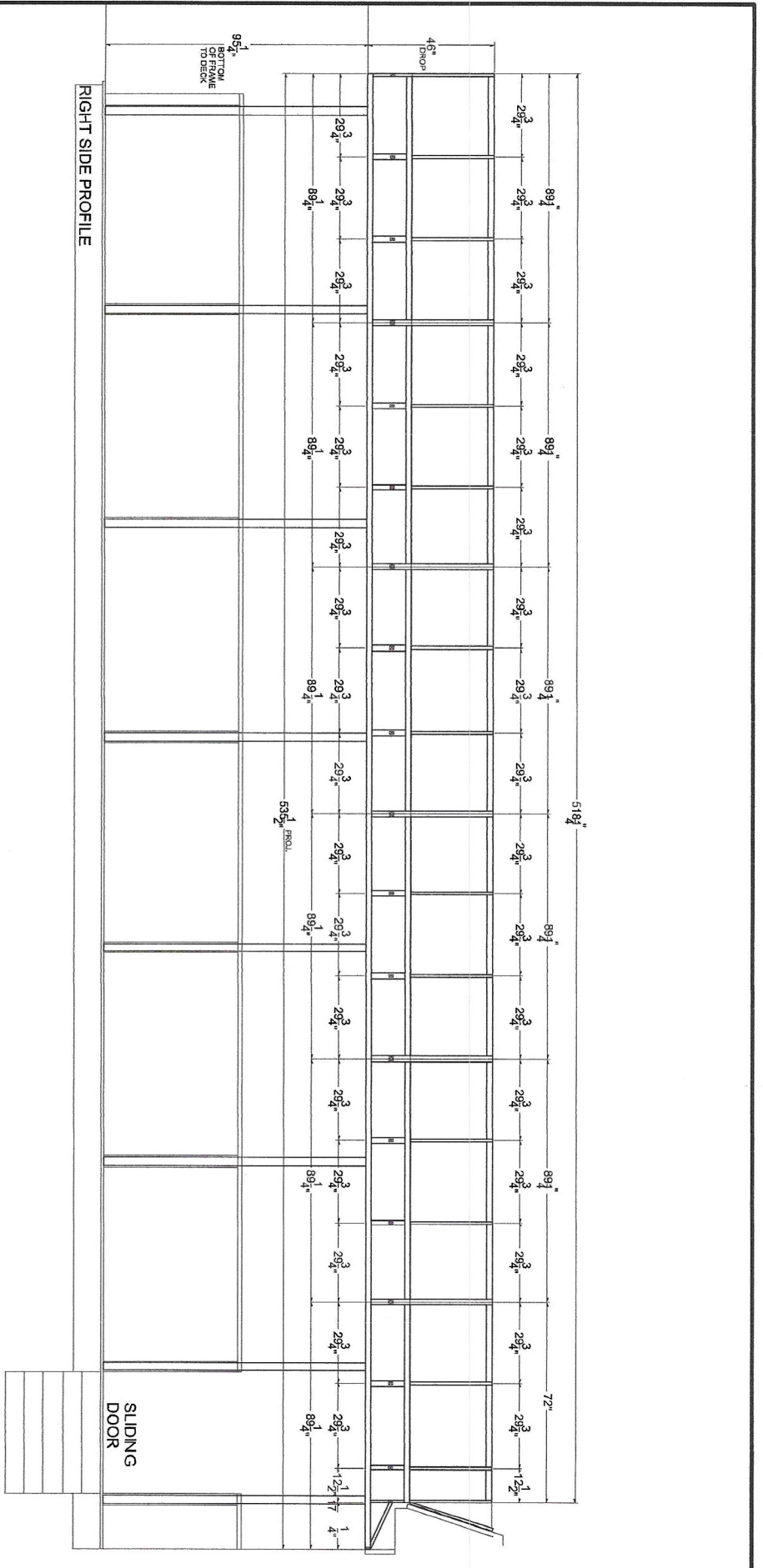
01 LEFT SIDE
N.T.S.

ASBURY AWNING MONMOUTH &
OCEAN COUNTY AWNING*DRIFTWOOD
CABANA CLUB
1485 OCEAN AVE, SEA BRIGHT, NJ 07760

LEFT SIDE	
	3/5/2020
	N.T.S.



DUNE
AWNING FABRICATION, LLC
25C COURT B
BRICK, NJ 08724



01
N.T.S.

RIGHT SIDE

ASBURY AWNING MONMOUTH &
OCEAN COUNTY AWNING+DRIFTWOOD
CABANA CLUB
1485 OCEAN AVE, SEA BRIGHT, NJ 07760

RIGHT SIDE

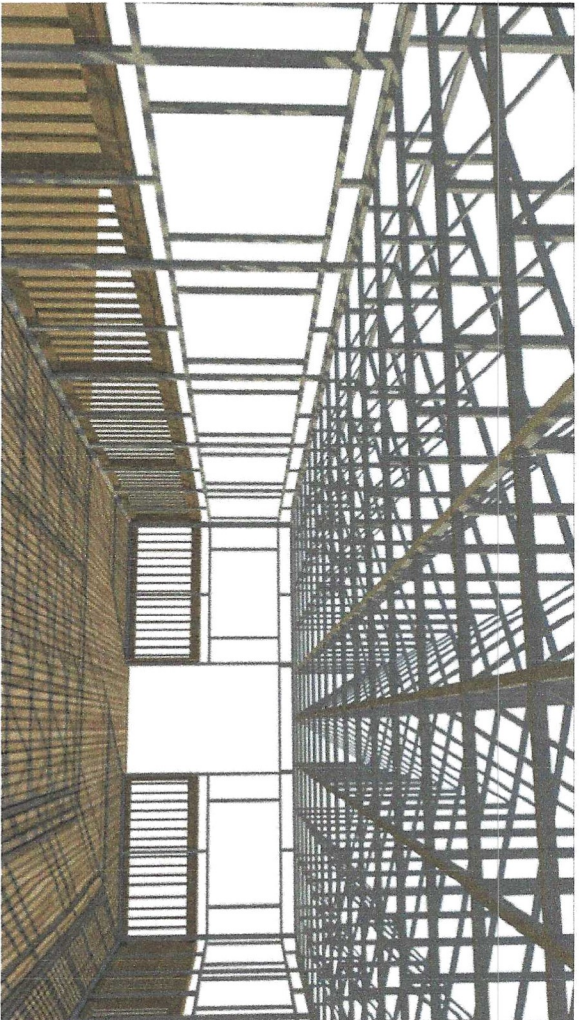
3/5/2020
N.T.S.



DUNE
AWNING FABRICATION, LLC
25C COURT B
BRICK, NJ 08724



01 EXISTING VIEW
N.T.S



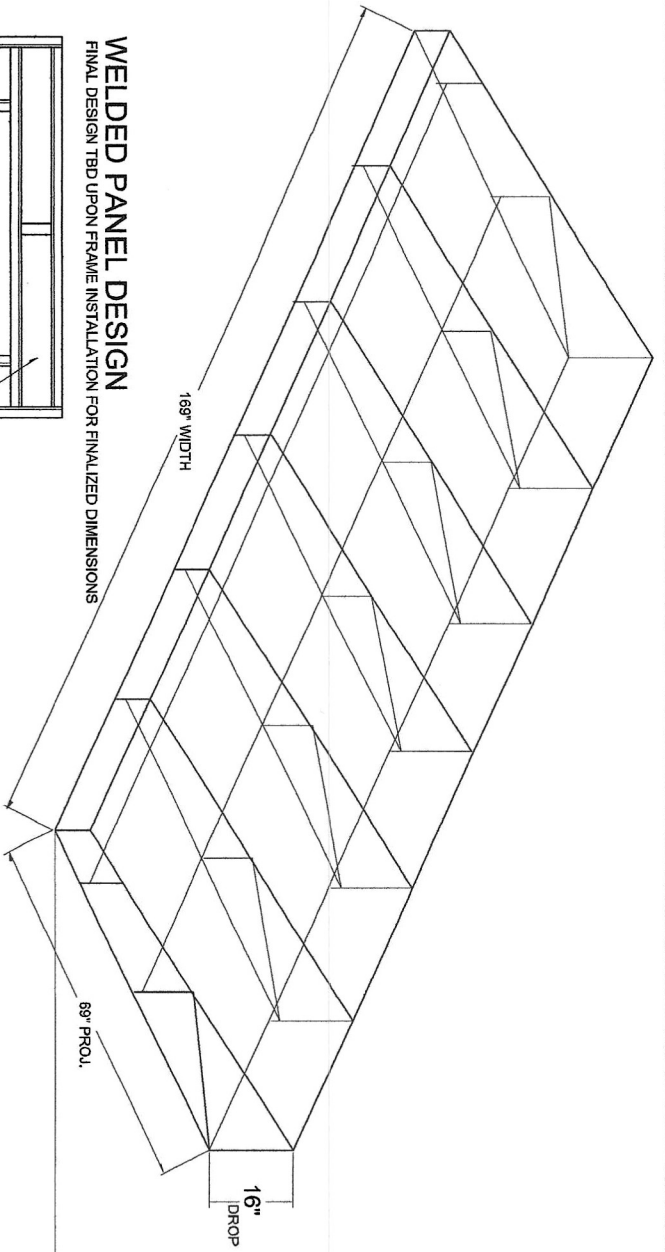
02 PROPOSED AWNINGS
N.T.S

ASBURY AWNING MONMOUTH &
OCEAN COUNTY AWNING+DRIFTWOOD
CABANA CLUB
1485 OCEAN AVE, SEA BRIGHT, NJ 07760

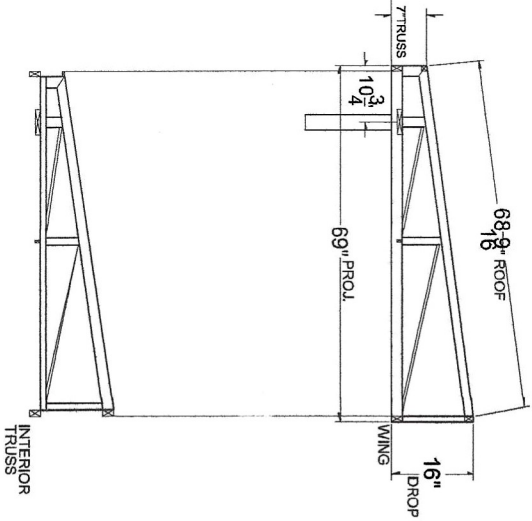
PROPOSED
VIEWS
3/5/2020
N.T.S.



DUNE
AWNING FABRICATION,LLC
25C COURT B
BRICK, NJ 08724

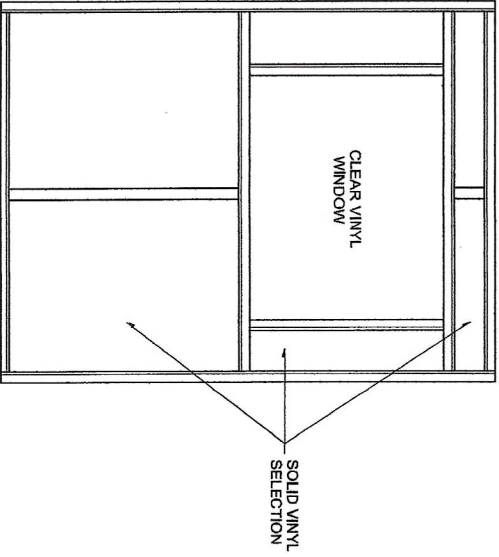


**SECONDARY AWNING
FRAME OVER BAR AREA**



WELDED PANEL DESIGN

FINAL DESIGN TBD UPON FRAME INSTALLATION FOR FINALIZED DIMENSIONS



ASBURY AWNING MONMOUTH &
OCEAN COUNTY AWNING® DRIFTWOOD
CABANA CLUB
1485 OCEAN AVE. SEA BRIGHT, NJ 07760

SECONDARY ISOMETRIC AWNING	
	3/5/2020
	N.T.S.



DUNE
AWNING FABRICATION, LLC
25C COURT B
BRICK, NJ 08724